



### 1 **BG Series**

Close-coupled self-priming centrifugal pumps with built-in ejector system, designed to remain primed even in the presence of water-dissolved gases. The extensive use of pressed stainless steel ensures a high-performance, durable and lightweight pump.

Available in the "Garden" version with handle and terminal box with built-in switch.

#### **SPECIFICATIONS**

**Delivery:** up to 4.2 m<sup>3</sup>/h

**Head:** up to 53 m

**Power supply:** three-phase and single-phase 50 and 60 Hz

**Power:** 0.37 kW to 1.1 kW

**Maximum operating pressure:**  
8 bar

**Maximum total lift:**  
8 m

**Maximum ambient temperature:**  
40°C

**Temperature of pumped liquid:**  
-10°C to +40°C

**Insulation class:** F

**Protection:** IP55

#### **MATERIALS**

**Pump body:** Stainless steel

**Impeller:** Stainless steel

**Diffuser:** Technopolymer

**Ejector:** Technopolymer

**Seal housing:** Stainless steel

**Mechanical seal:**

Ceramic/Carbon/EPDM

**Fill and drain plugs:**

Nickel-plated brass

**Elastomers:** EPDM

#### **APPLICATIONS**

- Water distribution
- Pressure boosting
- Irrigation
- Washing
- Rain water collection
- Swimming pools
- Fountains

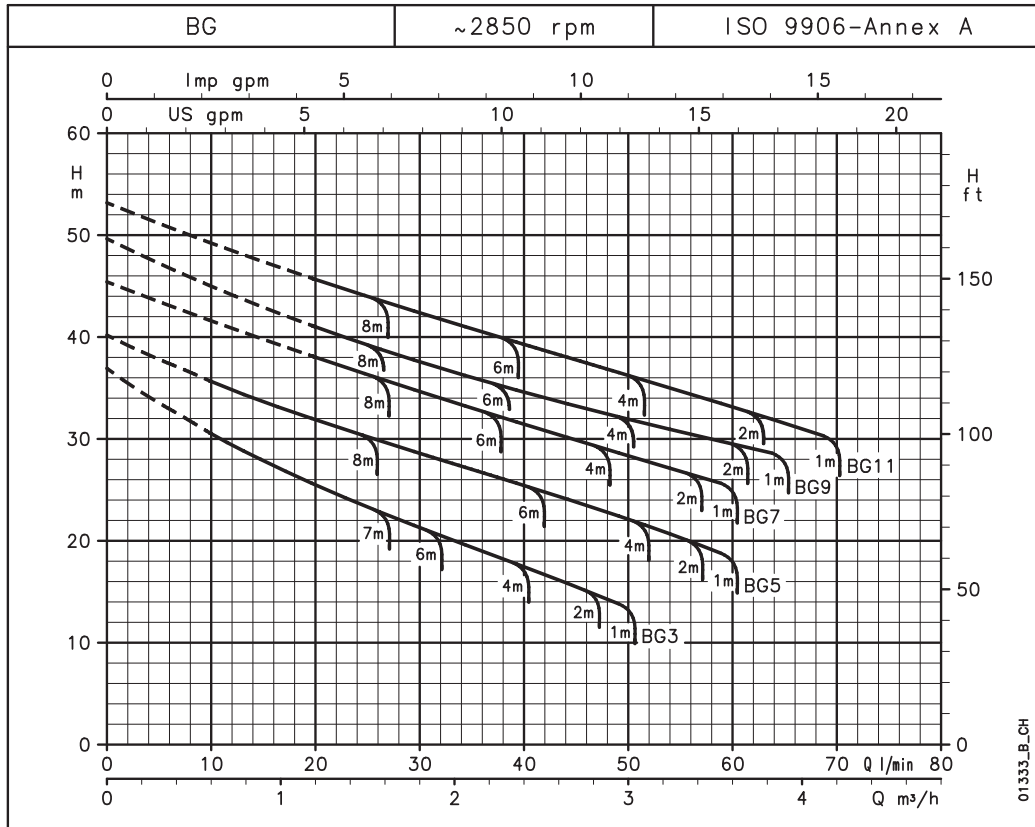


For a complete list of technical information, consult [www.lowara.com](http://www.lowara.com)

*Engineered for life*



### BG SERIES OPERATING CHARACTERISTICS AT 50 Hz



### HYDRAULIC PERFORMANCE TABLE

PUMP TYPE	RATED POWER		Q = DELIVERY									
			l/min	0	10	20	30	40	50	60	65	70
			m³/h	0	0,6	1,2	1,8	2,4	3	3,6	3,9	4,2
	kW	HP	H = TOTAL HEAD IN COLUMN OF WATER (METRES)									
BG(M)3	0,37	0,5	36,9	30,6	25,6	21,5	17,7	13,8				
BG(M)5	0,55	0,75	40,2	35,7	32,0	28,8	25,7	22,4	18,8			
BG(M)7	0,75	1	45,4		38,1	34,8	31,7	28,6	25,6			
BG(M)9	0,9	1,2	49,6		41,1	37,7	34,8	32,2	29,8	28,6		
BG(M)11	1,1	1,5	53,2		45,8	42,5	39,5	36,5	33,5	31,9	30,3	

Maximum delivery depends on geodetic suction lift with clean 8 m pipe and 1¼" foot valve.

bg-2p50\_a\_th

These performances are valid for liquids with density  $\rho = 1.0 \text{ kg/dm}^3$  and kinematic viscosity  $\nu = 1 \text{ mm}^2/\text{s}$ .

### ELECTRICAL DATA

PUMP TYPE	INPUT POWER*	INPUT CURRENT*	CAPACITOR
SINGLE-PHASE		220-240 V	
	kW	A	$\mu\text{F} / 450 \text{ V}$
BGM3	0,67	2,96	14
BGM5	0,91	4,33	16
BGM7	1,11	5	20
BGM9	1,24	5,54	25
BGM11	1,43	6,47	30

\*Maximum value in specified range

PUMP TYPE	INPUT POWER*	INPUT CURRENT*	INPUT CURRENT*
THREE-PHASE		220-240 V	380-415 V
	kW	A	A
BG3	0,68	2,56	1,48
BG5	0,81	2,74	1,58
BG7	1,1	3,71	2,14
BG9	1,16	4,24	2,45
BG11	1,38	4,59	2,65

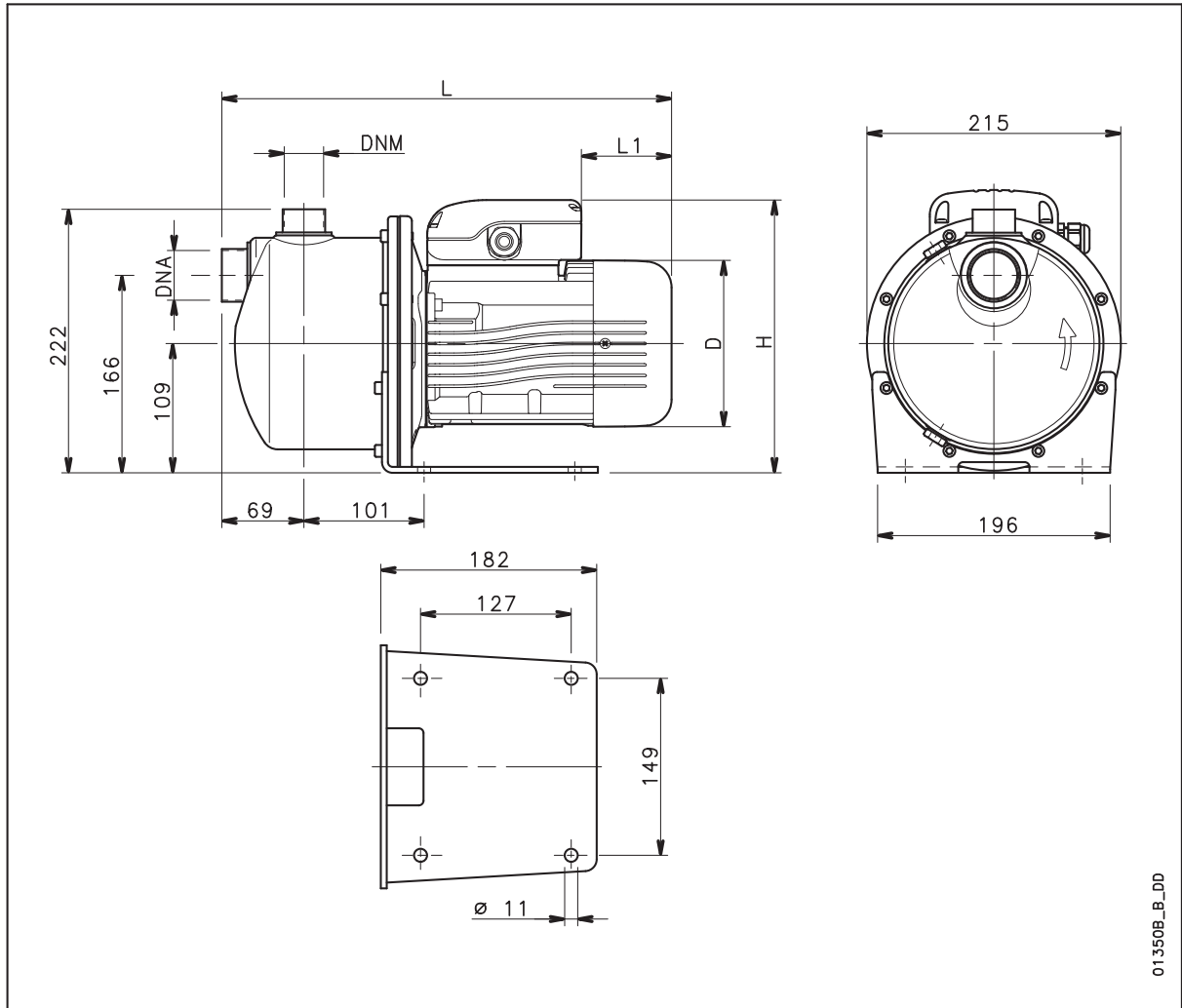
bg-2p50\_a\_te

*Engineered for life*



### BG SERIES DIMENSIONS AND WEIGHTS

1



PUMP TYPE	DIMENSIONS (mm)				DNA	DNM	WEIGHT
	D	L	L1	H			
BGM3	120	366	62	220	Rp 1 <sup>1</sup> / <sub>4</sub>	Rp 1	10
BGM5	140	380	76	230	Rp 1 <sup>1</sup> / <sub>4</sub>	Rp 1	12
BGM7	140	380	76	230	Rp 1 <sup>1</sup> / <sub>4</sub>	Rp 1	13
BGM9	140	380	31	239	Rp 1 <sup>1</sup> / <sub>4</sub>	Rp 1	13
BGM11	156	425	69	246	Rp 1 <sup>1</sup> / <sub>4</sub>	Rp 1	16
BG3	120	366	62	220	Rp 1 <sup>1</sup> / <sub>4</sub>	Rp 1	10
BG5	140	380	76	230	Rp 1 <sup>1</sup> / <sub>4</sub>	Rp 1	12
BG7	140	380	76	230	Rp 1 <sup>1</sup> / <sub>4</sub>	Rp 1	13
BG9	140	380	76	230	Rp 1 <sup>1</sup> / <sub>4</sub>	Rp 1	13
BG11	156	425	114	238	Rp 1 <sup>1</sup> / <sub>4</sub>	Rp 1	16

bg-2p50\_a\_td